



Add \$25 for Polished Stainless Steel

Made in USA

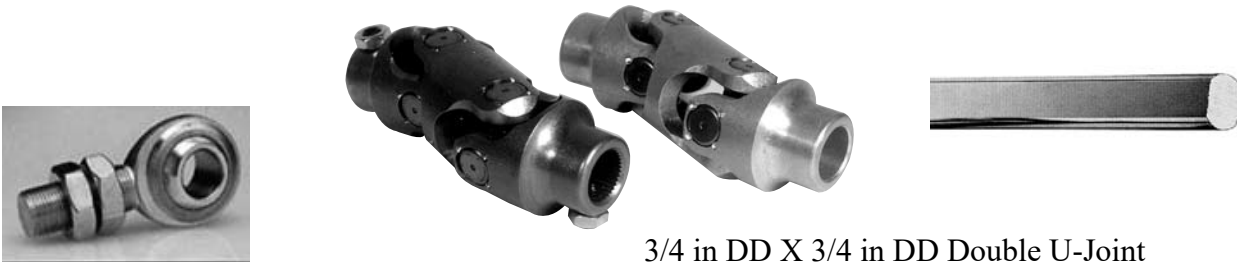


Steel Needle Bearing UJoints

Stainless Needle Bearing UJoints

- 3/4 in - 36 X 3/4 in DD U-Joint - Power Rack-USA
BOR-013449 **\$72**
- 1 in - 48 X 3/4 in DD Steel U-Joint - USA
BOR-014349 **\$72**
- 9/16 in - 26 X 3/4 in DD U-Joint - Manuel Rack
BOR-014909 **\$72**
- 5/8 in DD X 3/4 in-36 (Vega) Steel U-Joint
BOR-014918 **\$72**
- 3/4 in - 30 X 3/4 in DD U-Joint - 605 Box
BOR-014931 **\$72**
- 13/16 in -36 X 3/4 in DD Steel U-Joint
BOR-014940 **\$72**
- 3/4 in DD X 3/4 in DD Steel U-Joint
BOR-014949 **\$72**
- 1 in DD X 3/4 in DD Steel U-Joint - USA
BOR-014952 **\$72**
- 3/4 in DD X 3/4 V Steel U-Joint - USA
BOR-014955 **\$72**
- Vibration Reducer 3/4 in DD X 3/4 in DD U-Joint
BOR-034949 **\$105**
- 3/4 in DD X 3/4 in DD Double U-Joint
BOR-024949 **\$137**

- 3/4 in - 36 X 3/4 in DD U-Joint - Power Rack-USA
BOR-113449 **\$84**
- 1 in - 48 X 3/4 in DD Steel U-Joint - USA
BOR-114349 **\$84**
- 9/16 in - 26 X 3/4 in DD U-Joint - Manuel Rack
BOR-114909 **\$84**
- 5/8 in DD X 3/4 in-36 (Vega) Steel U-Joint
BOR-114918 **\$84**
- 3/4 in - 30 X 3/4 in DD U-Joint - 605 Box
BOR-114931 **\$84**
- 13/16 in -36 X 3/4 in DD Steel U-Joint
BOR-114940 **\$84**
- 3/4 in DD X 3/4 in DD Steel U-Joint
BOR-114949 **\$84**
- 1 in DD X 3/4 in DD Steel U-Joint - USA
BOR-114952 **\$84**
- 3/4 in DD X 3/4 V Steel U-Joint - USA
BOR-114955 **\$84**
- Vibration Reducer 3/4 in DD X 3/4 in DD U-Joint
BOR-154949 **\$129**



- 3/4 in Support Bearing - Made in USA
BOR-700000 **\$33**
- 36 in length of 3/4 in DD Shaft - Made in USA
BOR-409436 **\$35**

- 3/4 in DD X 3/4 in DD Double U-Joint
BOR-134949 **\$158**
- 3/4 in Support Bearing - Made in USA
BOR-710000 **\$73**
- 22 in length of 3/4 in DD Shaft - Made in USA
BOR-419422 **\$43**

WARNING: This product can expose you to chemicals including lead, which is known to the State of California to cause cancer and birth defects or other reproductive harm. For more information go to www.P65Warnings.ca.gov



Swivel Polished Floor Mount
BOR-909004 2" Column \$56
BOR-909006 2 1/4" Column \$56



Polished 3" Column Drop for 2" Column
BOR-911203 \$60
 Polished 3" Column Drop for 2 1/2" Column
BOR-911223 \$60
 Polished 3" Column Drop for GM Column
BOR-911233 \$60



Stocking Dealer for Borgeson



2 inch diameter adjustable floor mount
2401300010 \$30

2 1/4 inch diameter adjustable floor mount
2402300010 \$30



3 Speed Clear Plastic Shift Indicator
2600000010 \$27

O/D Clear Plastic Shift Indicator
2600050010 \$27

Billet Aluminum Dash Knob 3/16 hole
S8400 \$5



Column Dress Up Kit for Early GM Columns
 (Fits 67-83 GM Columns)
S8428 \$25



Push-In style polished Column Dress Up Kit
2500010040 \$61



Billet Column Shift Arm for 67-94 GM
S8427 \$35

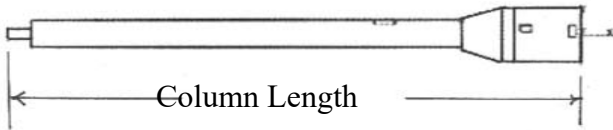


34-57 Chev Alum Door Lock Knobs-pr
2175 \$12

WARNING: This product can expose you to chemicals including lead, which is known to the State of California to cause cancer and birth defects or other reproductive harm. For more information go to www.P65Warnings.ca.gov

Steering Components

601 389 5880



Tilt 2 in dia Floor Shift Column w/column dress up kit

	Steel - \$395	w/ignition - \$715	Chrome - \$520	w/ignition - \$838
28"	1120280010	1520280010	1120280020	1520280020
30"	1120300010	1520300010	1120300020	1520300020
32"	1120320010	1520320010	1120320020	1520320020
35"	1120350010	1520350010	1120350020	1520350020



Tilt 2 1/4 in dia Column Shift w/column dress up kit

	Steel - \$608	w/ignition - \$925	Chrome - \$794	w/ignition - \$1111
28"	1130280010	1530280010	1130280020	1530280020
30"	1130300010	1530300010	1130300020	1530300020
33"	1130330010	1530330010	1130330020	1530330020
35"	1130350010	1530350010	1130350020	1530350020



Tri-Five 1955-57 Chevy

- 1955-56 Tilt Floor Shift
Steel-1120550010- \$407 Chrome-1120550020-\$535
- 1957 Tilt Floor Shift
Steel-1120570010- \$407 Chrome-1120570020-\$535
- 1955-56 Tilt Column Shift
Steel-1140550010-\$701 Chrome-1140550020-\$893
- 1957 Tilt Column Shift
Steel-1140570010-\$701 Chrome-1140570020-\$893

WARNING: This product can expose you to chemicals including lead, which is known to the State of California to cause cancer and birth defects or other reproductive harm. For more information go to www.P65Warnings.ca.gov



Impala 1958-64

1958 Tilt Floor Shift

Steel-1120580010-\$435 Chrome-1120580020-\$562

1959-60 Tilt Floor Shift

Steel-1120600010-\$435 Chrome-1120600020-\$562

1961-62 Tilt Floor Shift

Steel-1120620010-\$435 Chrome-1120620020-\$562

1963-64 Tilt Floor Shift

Steel-1120670010-\$524 Chrome-1120670020-\$651

1958 Tilt Column Shift

Steel-1140580010-\$701 Chrome-1140580020-\$893

1959-60 Tilt Column Shift

Steel-1140600010-\$701 Chrome-1140600020-\$893

1961-62 Tilt Column Shift

Steel-1140620010-\$701 Chrome-1140620020-\$893

1963-64 Tilt Column Shift

Steel-1140670010-\$798 Chrome-1140670020-\$990

Nova 1962-73

1962-66 Tilt Floor Shift

Steel-1120640010-\$435 Chrome-1120640020-\$562

1967 Tilt Floor Shift

Steel-1120630010-\$435 Chrome-1120630020-\$562

1967-73 Tilt Floor Shift

Steel-1520720010-\$785 Chrome-1520720020-\$915

1962-66 Tilt Column Shift

Steel-1140640010-\$701 Chrome-1140640020-\$893

1967 Tilt Column Shift

Steel-1140630010-\$701 Chrome-1140630020-\$893

1969-73 Tilt Column Shift w/ignition

Steel-1540720010-\$1063 Chrome-1540720020-\$1255

Camaro/Firebird 1967-69

1967-68 Tilt Floor Shift

Steel-1120680010-\$435 Chrome-1120680020-\$562

1969 Tilt Floor Shift w/ignition

Steel-1520790010-\$787 Chrome-1520790020-\$915

1967-68 Tilt Column Shift

Steel-1140680010-\$701 Chrome-1140680020-\$893

1969 Tilt Column Shift w/ignition

Steel-1540790010-\$1063 Chrome-1540790020-\$1255

Chevelle/El Camino/GTO 1964-72

1964-65 Tilt Floor Shift

Steel-1120640010-\$435 Chrome-1120640020-\$562

1966 Tilt Floor Shift

Steel-1120610010-\$435 Chrome-1120610020-\$562

1967-68 Tilt Floor Shift

Steel-1120680010-\$435 Chrome-1120680020-\$562

1969-72 Tilt Floor Shift w/ignition

Steel-1520690010-\$785 Chrome-1520690020-\$915

1964-65 Tilt Column Shift

Steel-1140640010-\$701 Chrome-1140640020-\$893

1966 Tilt Column Shift

Steel-1140610010-\$701 Chrome-114010020-\$893

1967-68 Tilt Column Shift

Steel-1140680010-\$701 Chrome-1140680020-\$893

1969-72 Tilt Column Shift w/ignition

Steel-1540690010-\$1063 Chrome-154090020-\$1255

WARNING: This product can expose you to chemicals including lead, which is known to the State of California to cause cancer and birth defects or other reproductive harm. For more information go to www.P65Warnings.ca.gov



Chevy Truck 1947-78

1947-54 Tilt Floor Shift

Steel-1120651010-\$518 Chrome-1120651020-\$645

1947-54 Tilt Column Shift

Steel-1130651010-\$737 Chrome-1130651020-\$928

1955-59 Floor Shift

Steel-1120652010-\$546 Chrome-1120652020-\$674

1955-59 Column Shift

Steel-1140652010-\$765 Chrome-1140652020-\$956

1960-66 Tilt Floor Shift

Steel-1120650010-\$482 Chrome-1120650020-\$610

1967-72 Tilt Floor Shift

Steel-1120657010-\$435 Chrome-1120657020-\$562

1973-78 Tilt Floor Shift

Steel-1520760010-\$787 Chrome-1520760020-\$915

1960-66 Tilt Column Shift

Steel-1140650010-\$749 Chrome-1140650020-\$941

1967-72 Tilt Column Shift

Steel-1140657010-\$701 Chrome-1140657020-\$893

1973-78 Tilt Column Shift w/ignition

Steel-1540760010-\$1063 Chrome-1540760020-\$1255

Mustang 1965-69 Floor Shift

1965-66

Steel-1120642010-\$545 Chrome-1120642020-\$675

1965-66 w/Rack

Steel-1120644010-\$545 Chrome-1120644020-\$675

1967

Steel-1120643010-\$545 Chrome-1120643020-\$675

1967 w/Rack

Steel-1120645010-\$545 Chrome-1120645020-\$675

1968

Steel-1300644010-\$613 Chrome-1300644020-\$740

1968 w/Rack

Steel-1300645010-\$613 Chrome-1300645020-\$740

1969

Steel-1300646010-\$613 Chrome-1300646020-\$740

1969w/Rack

Steel-1300647010-\$613 Chrome-1300647020-\$740

"I like my Borgeson power steering."

WARNING: This product can expose you to chemicals including lead, which is known to the State of California to cause cancer and birth defects or other reproductive harm. For more information go to www.P65Warnings.ca.gov

400L

Y Block



Self Contained P/S Pump Bracket

400L	SBC/SWP	\$78
402L	SBC/LWP	\$78
403L	BBC/SWP	\$78
802409	SBF/289/302/351W	\$72
802410	Ford 200/250 6 cyl	\$72
802411	Ford 292/312 Y Block	\$128
802412	Mopar 318/340/360	\$72



Power Steering Pump (remanufactured) with keyway, preset for Mustang Pressure

BOR-800312 \$149

Power Steering Pump (remanufactured) with keyway

BOR-800310 \$149

Saginaw & Type II Pump Pressure Reducer Kit

BOR-899001 \$17

Saginaw Pump Kit for Ford

Kits include a new Saginaw style self-contained pump with new powdered coated reservoir, cap, 1-row pulley and bracket.



800330	289/302/351W	\$295
800334	200/250 In-Line 6 cyl	\$295
800336	FE 390/428	\$295
800335	292/312 Y-Block	\$344



1955-57 Chevy Car

Power Steering Conversion Kit

The Borgeson conversion box is a remanufactured GM Delphi 600 integral power steering gearbox

\$849



Ididit Direct Replacement Columns Available



800105	Bolt-in 600 P.S. Box only	\$399
999009	SBC, front motor mounts, 3/4-36 column	\$849
999110	SBC, front motor mounts, 1"-DD column	\$849
999005	SBC/SWP. 3/4-36 column	\$849
999006	SBC/SWP, 1"-DD column	\$849
999008	SBC/LWP, 1"-DD column	\$849

Power Steering Hose Kit



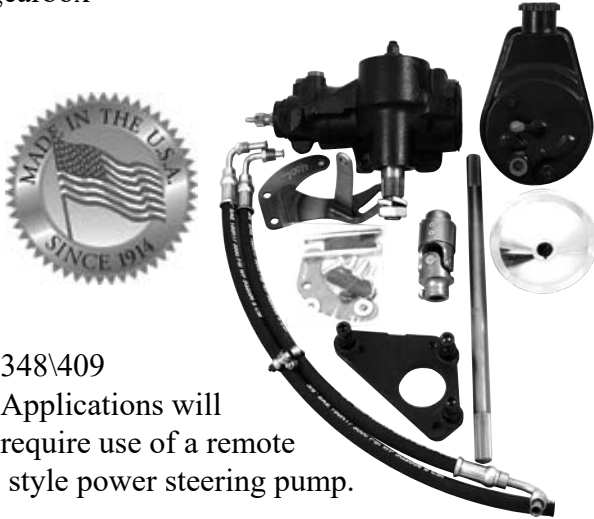
925203	Stainless Steel GM to GM pump	\$149
925103	GM to GM pump (rubber)	\$60
925102	MII to GM pump 74-78 (must)	\$68

WARNING: This product can expose you to chemicals including lead, which is known to the State of California to cause cancer and birth defects or other reproductive harm. For more information go to www.P65Warnings.ca.gov

1958-64 Chevy Car

Power Steering Conversion Kit

The Borgeson conversion box is a remanufactured GM Delphi 600 integral power steering gearbox



348\409

Applications will require use of a remote style power steering pump.

800106	Power Steering Box only	\$349
999014	Complete Kit, stock column	\$799
999015	Box, Shaft & U-Joint	\$469

1962-66 Chevy II

Power Steering Conversion Kit (Floor Shift Only)

The original factory column will need to be shortened for clearance of power steering box.

800117	P/S Box 62-66 Nova	\$499
990041	Column Shaft 62-66 Nova	\$99
800310	Saginaw Style P/S Pump w keyway	\$149
802400	P/S Bracket SBC/SWP	\$72
801001	Steel P/S Pulley, 2-Row w keyway, pointed Black 5-3/4"	\$65
925108	P/S Hose Kit, Rubber, Conversion box to Saginaw pump V-8	\$67
990005	Manual Drag Link Adapter for cars with factory P/S	\$98

BORGESON

Steering You Forward *Mullins*

1963-82 Corvette

Power Steering Conversion Kit

The Borgeson conversion box is a remanufactured GM Delphi 600 integral power steering gearbox



999016	63-66 SBC/SWP, Manuel Steering, Stock Column	\$886
999017	67-82 SBC/SWP. Manuel Steering, Stock Column	\$886
999031	63-66 for cars with factory P/S	\$669
999032	67-82 for cars with factory P/S	\$669

65 & Up GM Power Steering Kits



800130	64-77 Chevelle Box Only	\$445
800130	67-92 Camaro/Firebird	\$445
990012	1/2" Rag Joint - 3/4-30 Spline	\$70

WARNING: This product can expose you to chemicals including lead, which is known to the State of California to cause cancer and birth defects or other reproductive harm. For more information go to www.P65Warnings.ca.gov



1965-73 Mustang

The Borgeson conversion box is a new manufactured modern integral power steering gearbox. This box bolts directly to the factory mounting location and fits the stock pitman arm. 1967 Mustang owners must the sector shaft to see if it is 1" or 1-1/8" prior to purchase.



999020	65-66 Manuel Steering & 289/302/351W	\$978
999021	68-70 Manuel Steering & 289/302/351W	\$897
999023	65-66 with Power Steering V-8	\$810
999024	68-70 with Power Steering V-8	\$755
999025	68-70 with Power Steering I-6	\$755
999026	65-66 with Manual Steering & 200/250 6 cyl	\$978
999027	68-70 with Manual Steering & 200/250 6 cyl	\$897
800110	Box with 1" Sector Shaft, 65-67	\$529
800111	Box with 1-1/8" Sector Shaft 67-70	\$529
800128	P/S Upgrade Box for 71-73	\$413
990040	65-67 Replacement Column Shaft with Floor Mount	\$49
052534	Complete Rag Joint for 65-67	\$89
900016	1/2 Rag Joint for 68-70 with conversion kit	\$66
CALL	71-73 Mustang	

1952-64 Ford Full Size Car Modern Power Steering Conversion

The Borgeson conversion box is a new manufactured modern integral power steering gearbox providing true modern poser steering feel, feedback and a quick 14:1 ratio. This box bolts directly to the factory mounting location and connects to the stock manual steering linkage. The steering column will need to be shortened for installation of the box.



This conversion fits the following Ford full size

- 1952-60 Crestline, Customline, Mainline
- 1957-60 Custom
- 1957-62 Fairlane
- 1958-64 Galaxie
- 1955-57 Thunderbird

Also same platform Mercury vehicles .

800115	Ford Full Size Conversion Box	\$549
CALL	Complete Conversion Kit, Full Sized Ford with Manual Steering, 292/312Y-Block Only	\$1149
CALL	Complete Conversion Kit, Full Sized Ford with Manual Steering, 289/302/351W Only	\$959
800335	P/S Pump Upgrade, 292/312Y-Block, Includes Pump, Bracket and Pulley	\$299
800330	P/S Pump Upgrade, 289/302,351W, Includes Pump, Bracket and Pulley	\$269
800336	P/S Pump Upgrade, FE390/428, Includes Pump, Bracket and Pulley	\$259

WARNING: This product can expose you to chemicals including lead, which is known to the State of California to cause cancer and birth defects or other reproductive harm. For more information go to www.P65Warnings.ca.gov

1964-77 Midsize Ford Car

Modern Power Steering Conversion

The Borgeson conversion box is a new manufactured modern integral power steering gear-box providing true modern poser steering feel, feedback and a quick 14:1 ratio. This box bolts directly to the factory mounting location and connects to the stock manual steering linkage. The steering column will need to be shortened for installation of the box.



This conversion fits the following Ford full size

- 1964-70 Ford Fairland
- 1966-70 Ford Falcon
- 1966-70 Ford Ranchero
- 1968-71 Ford Torino and Grand Torino
- 1970-77 Ford Maverick

Also same platform Mercury vehicles .

800114	Power Conversion Box	\$499
800330	P/S Pump Upgrade, 289/302/351W, Includes Pump, Bracket and Pulley	\$269
800336	P/S Pump Upgrade, FE 390/428 P/S , Includes Pump, Bracket and Pulley	\$259
999052	Complete Conversion Kit, 1968-77 with Manual Steering, 289/302/351W Only	\$909
999053	Complete Conversion Kit, 1968-77 with Power Steering, Small Block & Big Block	\$798
800334	P/S Pump Upgrade, I-6 200/250, Includes Pump, Bracket & Pulley	\$259

BORGESON
Steering You Forward *Mullins*

1962-79 Mopar

Box bolts directly to the stock k-frame and fits to your stock pitman arm.



800126	Power Steering Box 62-79 Mopar 1-1/8" Sector Shaft	\$566
800127	Power Steering Box 92-79 Mopar 1-1/4" Sector Shaft	\$566
036425	Steering Column Adapter for Factory Column	\$123
925121	Fitting Adapter Set, Adapts Conversion Box to -6AN Fitting	\$25
925113	Power Steering Hose Kit, Saginaw Pump to Mopar Conversion Box	\$70
802412	Self Contained P/S Pump Bracket, Mopar 318/340/360	\$70
800322	P/S Pump, Press-On Style w/ Pulley	\$202

1966-77 Bronco

Modern Power Steering Conversion

Box bolts directly to the factory mounting location and fits the stock pitman arm.

999059	66-77 Conversion Kit SBF 289/302/351W	\$913
999060	66-77 Conversion Kit 200/250 6 Cyl	\$913
000820	76-77 Steering Shaft with Conversion Box	\$250
000821	66-75 Steering Shaft M/S with Conversion Box	\$250
000822	73-75 Steering Shaft P/S with Conversion Box	\$229

WARNING: This product can expose you to chemicals including lead, which is known to the State of California to cause cancer and birth defects or other reproductive harm. For more information go to www.P65Warnings.ca.gov