

# Steering Components

601 389 5880



Add \$25 for Polished Stainless Steel

Made in USA

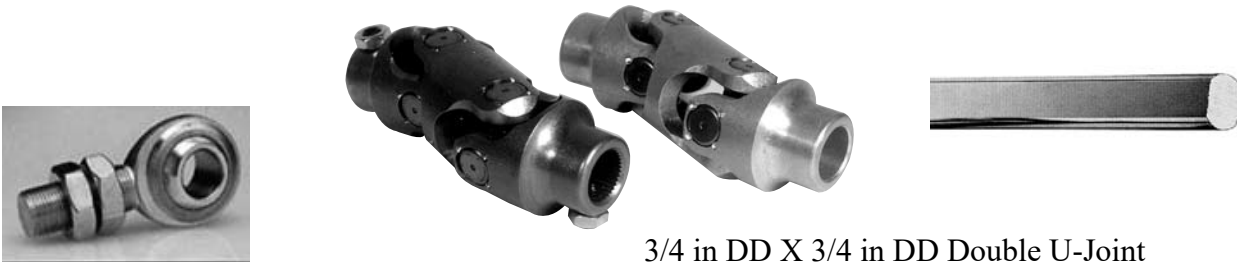


### Steel Needle Bearing UJoints

### Stainless Needle Bearing UJoints

- 3/4 in - 36 X 3/4 in DD U-Joint - Power Rack-USA  
**BOR-013449** **\$72**
- 1 in - 48 X 3/4 in DD Steel U-Joint - USA  
**BOR-014349** **\$72**
- 9/16 in - 26 X 3/4 in DD U-Joint - Manuel Rack  
**BOR-014909** **\$72**
- 5/8 in DD X 3/4 in-36 (Vega) Steel U-Joint  
**BOR-014918** **\$72**
- 3/4 in - 30 X 3/4 in DD U-Joint - 605 Box  
**BOR-014931** **\$72**
- 13/16 in -36 X 3/4 in DD Steel U-Joint  
**BOR-014940** **\$72**
- 3/4 in DD X 3/4 in DD Steel U-Joint  
**BOR-014949** **\$72**
- 1 in DD X 3/4 in DD Steel U-Joint - USA  
**BOR-014952** **\$72**
- 3/4 in DD X 3/4 V Steel U-Joint - USA  
**BOR-014955** **\$72**
- Vibration Reducer 3/4 in DD X 3/4 in DD U-Joint  
**BOR-034949** **\$105**
- 3/4 in DD X 3/4 in DD Double U-Joint  
**BOR-024949** **\$137**

- 3/4 in - 36 X 3/4 in DD U-Joint - Power Rack-USA  
**BOR-113449** **\$84**
- 1 in - 48 X 3/4 in DD Steel U-Joint - USA  
**BOR-114349** **\$84**
- 9/16 in - 26 X 3/4 in DD U-Joint - Manuel Rack  
**BOR-114909** **\$84**
- 5/8 in DD X 3/4 in-36 (Vega) Steel U-Joint  
**BOR-114918** **\$84**
- 3/4 in - 30 X 3/4 in DD U-Joint - 605 Box  
**BOR-114931** **\$84**
- 13/16 in -36 X 3/4 in DD Steel U-Joint  
**BOR-114940** **\$84**
- 3/4 in DD X 3/4 in DD Steel U-Joint  
**BOR-114949** **\$84**
- 1 in DD X 3/4 in DD Steel U-Joint - USA  
**BOR-114952** **\$84**
- 3/4 in DD X 3/4 V Steel U-Joint - USA  
**BOR-114955** **\$84**
- Vibration Reducer 3/4 in DD X 3/4 in DD U-Joint  
**BOR-154949** **\$129**



- 3/4 in Support Bearing - Made in USA  
**BOR-700000** **\$33**
- 36 in length of 3/4 in DD Shaft - Made in USA  
**BOR-409436** **\$35**

- 3/4 in DD X 3/4 in DD Double U-Joint  
**BOR-134949** **\$158**
- 3/4 in Support Bearing - Made in USA  
**BOR-710000** **\$73**
- 22 in length of 3/4 in DD Shaft - Made in USA  
**BOR-419422** **\$43**

**WARNING:** This product can expose you to chemicals including lead, which is known to the State of California to cause cancer and birth defects or other reproductive harm. For more information go to [www.P65Warnings.ca.gov](http://www.P65Warnings.ca.gov)



Swivel Polished Floor Mount  
**BOR-909004**      2" Column      \$56  
**BOR-909006**      2 1/4" Column      \$56



Polished 3" Column Drop for 2" Column  
**BOR-911203**      \$60  
 Polished 3" Column Drop for 2 1/2" Column  
**BOR-911223**      \$60  
 Polished 3" Column Drop for GM Column  
**BOR-911233**      \$60



**Stocking Dealer for Borgeson**



2 inch diameter adjustable floor mount  
**2401300010**      \$33

2 1/4 inch diameter adjustable floor mount  
**2402300010**      \$33



3 Speed Clear Plastic Shift Indicator  
**2600000010**      \$30

O/D Clear Plastic Shift Indicator  
**2600050010**      \$30

Billet Aluminum Dash Knob 3/16 hole  
**S8400**      \$5



Column Dress Up Kit for Early GM Columns  
 (Fits 67-83 GM Columns)  
**S8428**      \$25

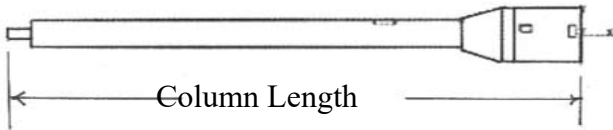


Push-In style polished Column Dress Up Kit  
**2500010040**      \$68



Billet Column Shift Arm for 67-94 GM  
**S8427**      \$35

# Steering Components 601 389 5880



Tilt 2 in dia Floor Shift Column w/column dress up kit

	<b>Steel - \$429</b>	<b>w/ignition - \$824</b>	<b>Chrome - \$611</b>	<b>w/ignition - \$1004</b>
28"	<b>1120280010</b>	<b>1520280010</b>	<b>1120280020</b>	<b>1520280020</b>
30"	<b>1120300010</b>	<b>1520300010</b>	<b>1120300020</b>	<b>1520300020</b>
32"	<b>1120320010</b>	<b>1520320010</b>	<b>1120320020</b>	<b>1520320020</b>
35"	<b>1120350010</b>	<b>1520350010</b>	<b>1120350020</b>	<b>1520350020</b>



Tilt 2 1/4 in dia Column Shift w/column dress up kit

	<b>Steel - \$661</b>	<b>w/ignition - \$1058</b>	<b>Chrome - \$923</b>	<b>w/ignition - \$1325</b>
28"	<b>1130280010</b>	<b>1530280010</b>	<b>1130280020</b>	<b>1530280020</b>
30"	<b>1130300010</b>	<b>1530300010</b>	<b>1130300020</b>	<b>1530300020</b>
33"	<b>1130330010</b>	<b>1530330010</b>	<b>1130330020</b>	<b>1530330020</b>
35"	<b>1130350010</b>	<b>1530350010</b>	<b>1130350020</b>	<b>1530350020</b>



**Tri-Five 1955-57 Chevy**

- 1955-56 Tilt Floor Shift  
**Steel-1120550010- \$444 Chrome-1120550020-\$619**
- 1957 Tilt Floor Shift  
**Steel-1120570010- \$444 Chrome-1120570020-\$619**
- 1955-56 Tilt Column Shift  
**Steel-1140550010-\$760 Chrome-1140550020-\$1032**
- 1957 Tilt Column Shift  
**Steel-1140570010-\$762 Chrome-1140570020-\$1031**

**WARNING:** This product can expose you to chemicals including lead, which is known to the State of California to cause cancer and birth defects or other reproductive harm. For more information go to [www.P65Warnings.ca.gov](http://www.P65Warnings.ca.gov)



**Impala 1958-64**

1958 Tilt Floor Shift  
**Steel-1120580010-\$474 Chrome-112058002602-\$632**  
 1959-60 Tilt Floor Shift  
**Steel-1120600010-\$474 Chrome-1120600020-\$649**  
 1961-62 Tilt Floor Shift  
**Steel-1120620010-\$474 Chrome-1120620020-\$651**  
 1963-64 Tilt Floor Shift w/dash bezel  
**Steel-1120670010-\$561 Chrome-1120670020-\$747**  
 1958 Tilt Column Shift  
**Steel-1140580010-\$765 Chrome-1140580020-\$1030**  
 1959-60 Tilt Column Shift  
**Steel-1140600010-\$762 Chrome-1140600020-\$1034**  
 1961-62 Tilt Column Shift  
**Steel-1140620010-\$763 Chrome-1140620020-\$1031**  
 1963-64 Tilt Column Shift w/dash bezel  
**Steel-1140670010-\$864 Chrome-1140670020 \$1140**



**Nova 1962-73**

1962-66 Tilt Floor Shift  
**Steel-1120646010-\$474 Chrome-1120646020-\$648**  
 1967 Tilt Floor Shift  
**Steel-1120630010-\$474 Chrome-1120630020-\$649**  
 1969-73 Tilt Floor Shift  
**Steel-1520720010-\$899 Chrome-1520720020-\$1089**  
 1962-66 Tilt Column Shift  
**Steel-1140646010-\$760 Chrome-1140646020-\$1034**  
 1967 Tilt Column Shift  
**Steel-1140630010-\$765 Chrome-1140630020-\$1004**  
 1969-73 Tilt Column Shift w/ignition  
**Steel-1540720010-\$1198 Chrome-1540720020-\$1482**



**Chevelle/ GTO/  
 Camaro/Firebird 1967-69**

1967-68 Tilt Floor Shift  
**Steel-1120680010-\$472 Chrome-1120680020 \$648**  
 1969 Tilt Floor Shift w/ignition  
**Steel-1520790010-\$904 Chrome-1520790020-\$1089**  
 1967-68 Tilt Column Shift  
**Steel-1140680010-\$760 Chrome-1140680020-\$1030**  
 1969 CAMARO Tilt Column Shift w/ignition  
**Steel-1540790010-\$1169 Chrome-1540790020-\$1437**



**Chevelle/El Camino/GTO 1964-72**

1964-65 Tilt Floor Shift  
**Steel-1120640010-\$474 Chrome-1120640020-\$641**  
 1966 Tilt Floor Shift  
**Steel-1120610010-\$474 Chrome-1120610020-\$649**  
 1967-68 Tilt Floor Shift  
**Steel-1120680010-\$472 Chrome-1120680020-\$648**  
 1969-72 Tilt Floor Shift w/ignition  
**Steel-1520690010-\$901 Chrome-1520690020-\$1087**  
 1964-65 Tilt Column Shift  
**Steel-1140640010-\$760 Chrome-1140640020-\$1032**  
 1966 Tilt Column Shift  
**Steel-1140610010-\$762 Chrome-114010020-\$1030**  
 1967-68 Tilt Column Shift  
**Steel-1140680010-\$760 Chrome-1140680020-\$1030**  
 1969-72 Tilt Column Shift w/ignition  
**Steel-1540690010-\$1169 Chrome-154090020-\$1476**

**WARNING:** This product can expose you to chemicals including lead, which is known to the State of California to cause cancer and birth defects or other reproductive harm. For more information go to [www.P65Warnings.ca.gov](http://www.P65Warnings.ca.gov)



Chevy Truck 1947-78

1947-54 Tilt Floor Shift

Steel-1120651010-\$562 Chrome-1120651020-\$742

1947-54 Tilt Column Shift

Steel-1130651010-\$799 Chrome-1130651020-\$1070

1955-59 Floor Shift

Steel-1120652010-\$592 Chrome-1120652020-\$772

1955-59 Column Shift

Steel-1140652010-\$831 Chrome-1140652020-\$1107

1960-66 Tilt Floor Shift

Steel-1120650010-\$523 Chrome-1120650020-\$703

1967-72 Tilt Floor Shift

Steel-1120657010-\$472 Chrome-1120657020-\$649

1973-78 Tilt Floor Shift

Steel-1520760010-\$904 Chrome-1520760020-\$1087

1960-66 Tilt Column Shift

Steel-1140650010-\$811 Chrome-1140650020-\$1083

1967-72 Tilt Column Shift

Steel-1140657010-\$760 Chrome-1140657020-\$1034

1973-78 Tilt Column Shift w/ignition

Steel-1540760010-\$1202 Chrome-1540760020-\$1477



Mustang 1965-69 Floor Shift

1965-66

Steel-1120642010-\$592 Chrome-1120642020-\$770

1965-66 w/Rack

Steel-1120644010-\$592 Chrome-1120644020-\$770

1967

Steel-1120643010-\$592 Chrome-1120643020-\$772

1967 w/Rack

Steel-1120645010-\$592 Chrome-1120645020-\$773

1968

Steel-1300644010-\$664 Chrome-1300644020-\$848

1968 w/Rack

Steel-1300645010-\$664 Chrome-1300645020-\$848

1969

Steel-1300646010-\$664 Chrome-1300646020-\$848

1969w/Rack

Steel-1300647010-\$665 Chrome-1300647020-\$847



"I like my Borgeson power steering."

**WARNING:** This product can expose you to chemicals including lead, which is known to the State of California to cause cancer and birth defects or other reproductive harm. For more information go to [www.P65Warnings.ca.gov](http://www.P65Warnings.ca.gov)

400L

Y Block



Self Contained P/S Pump Bracket

400L	SBC/SWP	\$78
402L	SBC/LWP	\$78
403L	BBC/SWP	\$78
802409	SBF/289/302/351W	\$72
802410	Ford 200/250 6 cyl	\$72
802411	Ford 292/312 Y Block	\$128
802412	Mopar 318/340/360	\$72



Power Steering Pump (remanufactured) with keyway, preset for Mustang Pressure

**BOR-800312 \$149**

Power Steering Pump (remanufactured) with keyway

**BOR-800310 \$149**

Saginaw & Type II Pump Pressure Reducer Kit

**BOR-899001 \$17**

Saginaw Pump Kit for Ford

Kits include a new Saginaw style self-contained pump with new powdered coated reservoir, cap, 1-row pulley and bracket.



800330	289/302/351W	\$295
800334	200/250 In-Line 6 cyl	\$295
800336	FE 390/428	\$295
800335	292/312 Y-Block	\$344

**BORGESON**  
Steering You Forward *Mullins*

1955-57 Chevy Car

Power Steering Conversion Kit

The Borgeson conversion box is a remanufactured GM Delphi 600 integral power steering gearbox

**\$849**



Ididit Direct Replacement Columns Available



800105	Bolt-in 600 P.S. Box only	\$399
999009	SBC, front motor mounts, 3/4-36 column	\$849
999110	SBC, front motor mounts, 1"-DD column	\$849
999005	SBC/SWP. 3/4-36 column	\$849
999006	SBC/SWP, 1"-DD column	\$849
999008	SBC/LWP, 1"-DD column	\$849

Power Steering Hose Kit



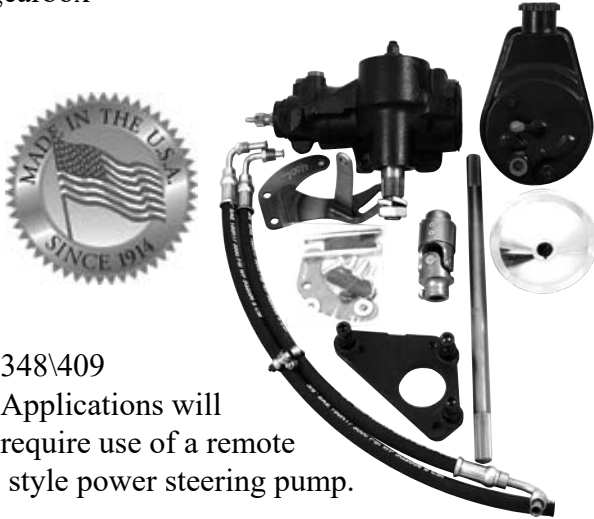
925203	Stainless Steel GM to GM pump	\$149
925103	GM to GM pump (rubber)	\$60
925102	MII to GM pump 74-78 (must)	\$68

**WARNING:** This product can expose you to chemicals including lead, which is known to the State of California to cause cancer and birth defects or other reproductive harm. For more information go to [www.P65Warnings.ca.gov](http://www.P65Warnings.ca.gov)

## 1958-64 Chevy Car

### Power Steering Conversion Kit

The Borgeson conversion box is a remanufactured GM Delphi 600 integral power steering gearbox



348\409

Applications will require use of a remote style power steering pump.

800106	Power Steering Box only	\$349
999014	Complete Kit, stock column	\$799
999015	Box, Shaft & U-Joint	\$469

## 1962-66 Chevy II

### Power Steering Conversion Kit (Floor Shift Only)

The original factory column will need to be shortened for clearance of power steering box.

800117	P/S Box 62-66 Nova	\$499
990041	Column Shaft 62-66 Nova	\$99
800310	Saginaw Style P/S Pump w keyway	\$149
802400	P/S Bracket SBC/SWP	\$72
801001	Steel P/S Pulley, 2-Row w keyway, pointed Black 5-3/4"	\$65
925108	P/S Hose Kit, Rubber, Conversion box to Saginaw pump V-8	\$67
990005	Manual Drag Link Adapter for cars with factory P/S	\$98

**BORGESON**  
Steering You Forward *Mullins*

## 1963-82 Corvette

### Power Steering Conversion Kit

The Borgeson conversion box is a remanufactured GM Delphi 600 integral power steering gearbox



999016	63-66 SBC/SWP, Manuel Steering, Stock Column	\$886
999017	67-82 SBC/SWP. Manuel Steering, Stock Column	\$886
999031	63-66 for cars with factory P/S	\$669
999032	67-82 for cars with factory P/S	\$669

## 65 & Up GM Power Steering Kits



800130	64-77 Chevelle Box Only	\$445
800130	67-92 Camaro/Firebird	\$445
990012	1/2" Rag Joint - 3/4-30 Spline	\$70

**WARNING:** This product can expose you to chemicals including lead, which is known to the State of California to cause cancer and birth defects or other reproductive harm. For more information go to [www.P65Warnings.ca.gov](http://www.P65Warnings.ca.gov)



## 1965-73 Mustang

The Borgeson conversion box is a new manufactured modern integral power steering gearbox. This box bolts directly to the factory mounting location and fits the stock pitman arm. 1967 Mustang owners must the sector shaft to see if it is 1" or 1-1/8" prior to purchase.



999020	65-66 Manuel Steering & 289/302/351W	\$978
999021	68-70 Manuel Steering & 289/302/351W	\$897
999023	65-66 with Power Steering V-8	\$810
999024	68-70 with Power Steering V-8	\$755
999025	68-70 with Power Steering I-6	\$755
999026	65-66 with Manual Steering & 200/250 6 cyl	\$978
999027	68-70 with Manual Steering & 200/250 6 cyl	\$897
800110	Box with 1" Sector Shaft, 65-67	\$529
800111	Box with 1-1/8" Sector Shaft 67-70	\$529
800128	P/S Upgrade Box for 71-73	\$413
990040	65-67 Replacement Column Shaft with Floor Mount	\$49
052534	Complete Rag Joint for 65-67	\$89
900016	1/2 Rag Joint for 68-70 with conversion kit	\$66
CALL	71-73 Mustang	

## 1952-64 Ford Full Size Car Modern Power Steering Conversion

The Borgeson conversion box is a new manufactured modern integral power steering gearbox providing true modern poser steering feel, feedback and a quick 14:1 ratio. This box bolts directly to the factory mounting location and connects to the stock manual steering linkage. The steering column will need to be shortened for installation of the box.



This conversion fits the following Ford full size

- 1952-60 Crestline, Customline, Mainline
- 1957-60 Custom
- 1957-62 Fairlane
- 1958-64 Galaxie
- 1955-57 Thunderbird

Also same platform Mercury vehicles .

800115	Ford Full Size Conversion Box	\$549
CALL	Complete Conversion Kit, Full Sized Ford with Manual Steering, 292/312Y-Block Only	\$1149
CALL	Complete Conversion Kit, Full Sized Ford with Manual Steering, 289/302/351W Only	\$959
800335	P/S Pump Upgrade, 292/312Y-Block, Includes Pump, Bracket and Pulley	\$299
800330	P/S Pump Upgrade, 289/302,351W, Includes Pump, Bracket and Pulley	\$269
800336	P/S Pump Upgrade, FE390/428, Includes Pump, Bracket and Pulley	\$259

**WARNING:** This product can expose you to chemicals including lead, which is known to the State of California to cause cancer and birth defects or other reproductive harm. For more information go to [www.P65Warnings.ca.gov](http://www.P65Warnings.ca.gov)



## 1964-77 Midsize Ford Car

### Modern Power Steering Conversion

The Borgeson conversion box is a new manufactured modern integral power steering gear-box providing true modern poser steering feel, feedback and a quick 14:1 ratio. This box bolts directly to the factory mounting location and connects to the stock manual steering linkage. The steering column will need to be shortened for installation of the box.



This conversion fits the following Ford full size

- 1964-70 Ford Fairland
- 1966-70 Ford Falcon
- 1966-70 Ford Ranchero
- 1968-71 Ford Torino and Grand Torino
- 1970-77 Ford Maverick

Also same platform Mercury vehicles .

800114	Power Conversion Box	\$499
800330	P/S Pump Upgrade, 289/302/351W, Includes Pump, Bracket and Pulley	\$269
800336	P/S Pump Upgrade, FE 390/428 P/S , Includes Pump, Bracket and Pulley	\$259
999052	Complete Conversion Kit, 1968-77 with Manual Steering, 289/302/351W Only	\$909
999053	Complete Conversion Kit, 1968-77 with Power Steering, Small Block & Big Block	\$798
800334	P/S Pump Upgrade, I-6 200/250, Includes Pump, Bracket & Pulley	\$259

**BORGESON**  
Steering You Forward *Mullins*

## 1962-79 Mopar

Box bolts directly to the stock k-frame and fits to your stock pitman arm.



800126	Power Steering Box 62-79 Mopar 1-1/8" Sector Shaft	\$566
800127	Power Steering Box 92-79 Mopar 1-1/4" Sector Shaft	\$566
036425	Steering Column Adapter for Factory Column	\$123
925121	Fitting Adapter Set, Adapts Conversion Box to -6AN Fitting	\$25
925113	Power Steering Hose Kit, Saginaw Pump to Mopar Conversion Box	\$70
802412	Self Contained P/S Pump Bracket, Mopar 318/340/360	\$70
800322	P/S Pump, Press-On Style w/ Pulley	\$202

## 1966-77 Bronco

### Modern Power Steering Conversion

Box bolts directly to the factory mounting location and fits the stock pitman arm.

999059	66-77 Conversion Kit SBF 289/302/351W	\$913
999060	66-77 Conversion Kit 200/250 6 Cyl	\$913
000820	76-77 Steering Shaft with Conversion Box	\$250
000821	66-75 Steering Shaft M/S with Conversion Box	\$250
000822	73-75 Steering Shaft P/S with Conversion Box	\$229

**WARNING:** This product can expose you to chemicals including lead, which is known to the State of California to cause cancer and birth defects or other reproductive harm. For more information go to [www.P65Warnings.ca.gov](http://www.P65Warnings.ca.gov)